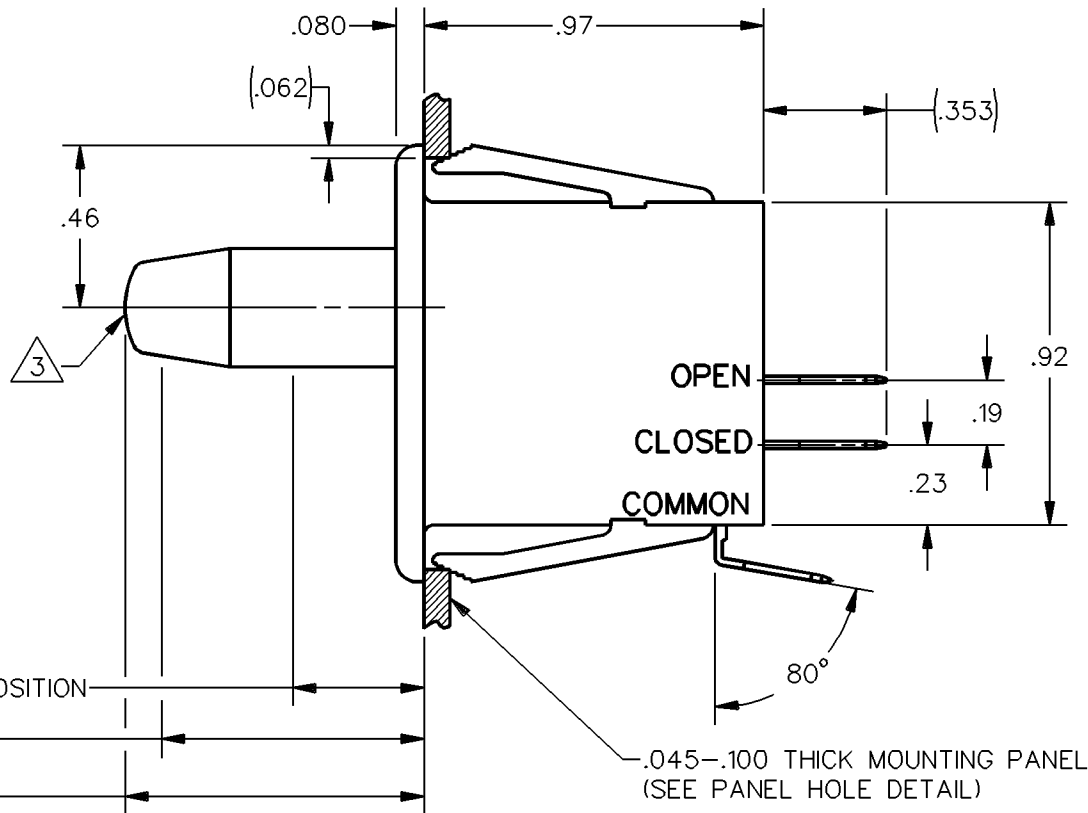
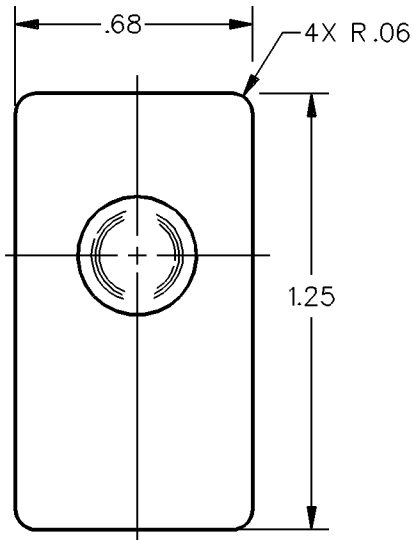
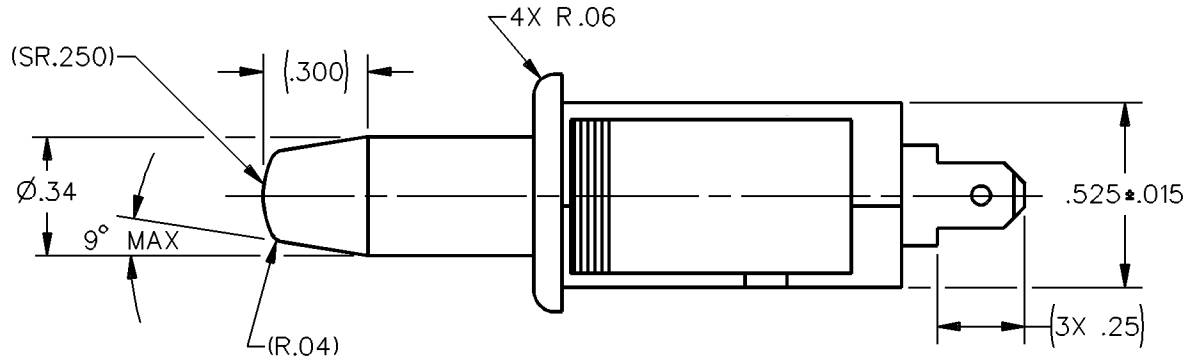
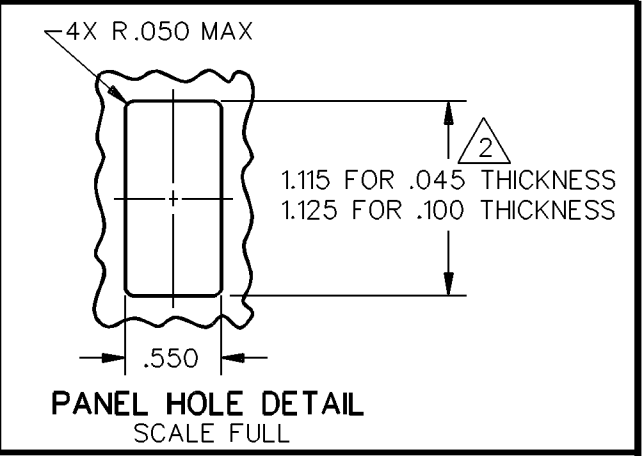


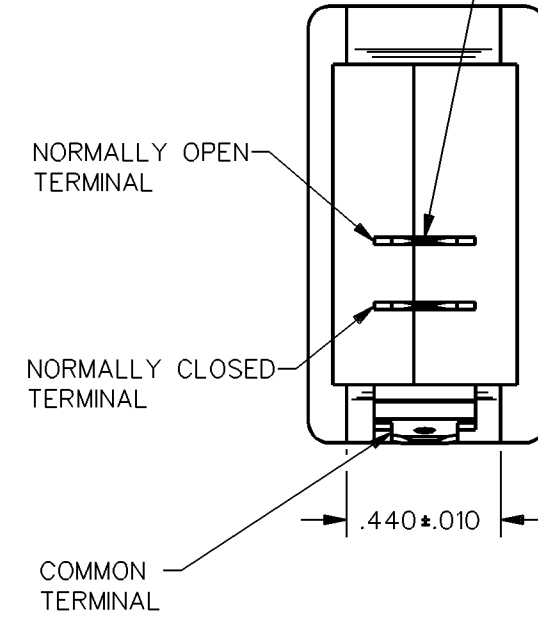
**MICRO SWITCH**  
a Honeywell Division  
FED. MFG. CODE 91929

SWITCH - BASIC

CATALOG LISTING  
1DM57



3X .188 X .020 QUICK-CONNECT TERMINAL



.375 MAX FULL OVERTRAVEL POSITION

.750 ± .060 OPERATING POSITION

.880 ± .050 FREE POSITION

CATALOG LISTING  
1DM57

REPLACES  
RELEASE NO. PR-602

CHECK

ISSUE  
8

REVISIONS

A	CO-72328	WJC	5 OCT 92
---	----------	-----	----------

CHECK

WJC 5 OCT 92

DRAWN  
WJC 5 OCT 92

DDM/CAD

THIS DRAWING COVERS A PROPRIETARY ITEM AND IS THE PROPERTY OF MICRO SWITCH, A DIVISION OF HONEYWELL. THIS DRAWING IS NOT TO BE COPIED OR USED WITHOUT THE APPROVAL OF MICRO SWITCH.

THIRD ANGLE PROJECTION
SCALE 2 TO 1
DO NOT SCALE PRINT
UNLESS OTHERWISE SPECIFIED TOLERANCES ARE
ONE PLACE (.0) ± .030
TWO PLACE (.00) ± .015
THREE PLACE (.000) ± .005
ANGLES ± 5°
WEIGHT

CHARACTERISTICS
OPERATING FORCE - - - - - 15 OZ MAX
RELEASE FORCE - - - - - 3 OZ MIN
DIFFERENTIAL TRAVEL - - .045 APPROX
OVERTRAVEL - - - - - .375 MIN
PLUNGER FORCE - - - - - 21 OZ MAX (AT .375 OVERTRAVEL)

ELECTRICAL DATA
CONTACT ARRANGEMENT S P D T
L181
10A 1/2HP 125, 250 OR 277 VAC

- NOTES
- 1 - BLACK PLASTIC CASE AND PLUNGER
  - 2 NOMINAL CUTOUT DIMENSION FOR PANELS BETWEEN .045 AND .100 SHOULD BE INTERPOLATED BETWEEN 1.115 AND 1.125
  - 3 PUSH TO OPERATE—MOMENTARY

ANSI Y14.5M-1982 APPLIES

